

## 7" Rugged Tablet X86-based Windows® 8.1 with 1.8 GHz Dual Core Processor



### Features

- 7" (1280 x 800) TFT LCD Display
- Intel® Atom™ Z2760 1.8 GHz Dual Core Processor
- Anti-scratch with 5 Points Multi-touch Screen, Gorilla Glass
- 400 nits
- Li-polymer High Capacity Battery, up to 8 Hours Battery Life
- WiFi 802.11 b/g/n, Bluetooth® v4.0
- NFC/ RFID/ 3G (Optional)
- GPS/ Glonass Navigation
- G-sensor, E-compass, Gyros
- MIL-STD-810G & IP65 Compliant
- Expansion Peripherals (Optional):  
1D/2D Barcode Scanner, Magnetic Stripe Reader (MSR), Smart Card Reader (SCR), Docking
- Windows® 8.1



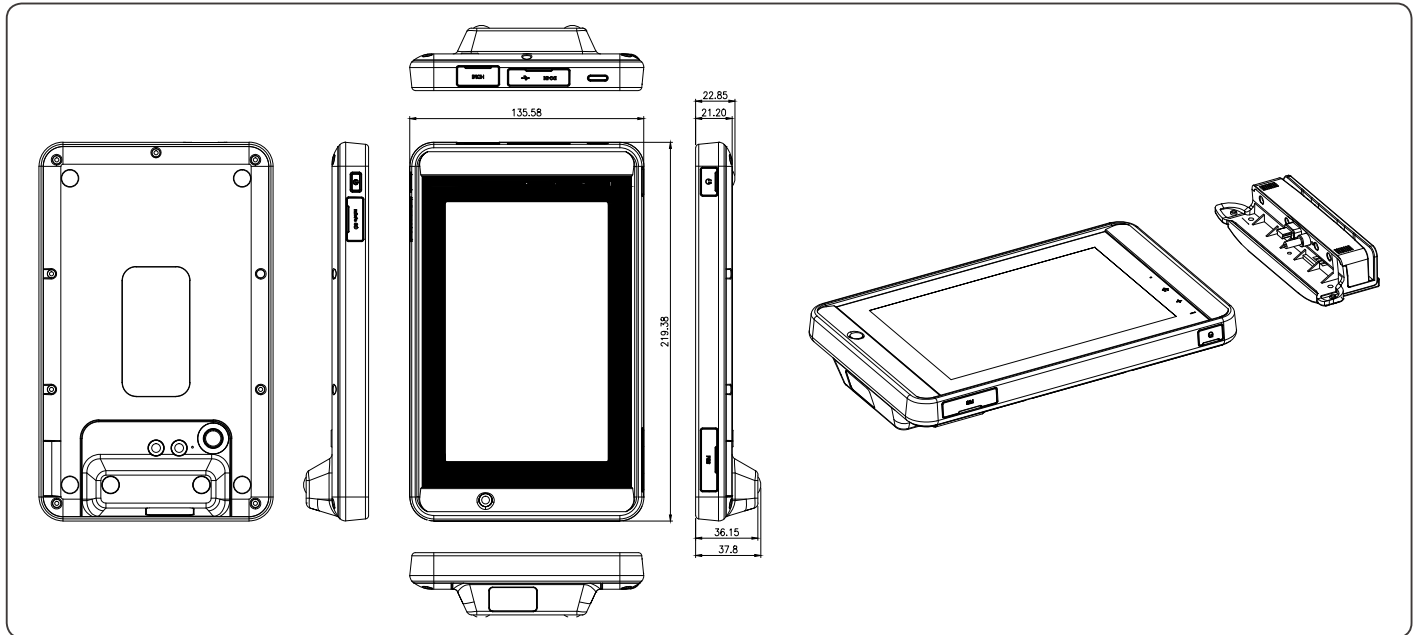
Sensors	G-sensor, E-Compass, Gyroscope, Light-sensor
Expansion Slot	Docking
Barcode Code Scanner (optional)	1D Scanner support CMOS engine (optional), 2D Scanner support LED engine
RFID (optional)	HF RFID based on 13.56MHz compatible with NFC
<b>Mechanical</b>	
Color	Black
Dimension (W x H x D)	5.38" x 8.58" x 0.83" (136.6mm x 219mm x 21mm)
Gross Weight	1.27 lb (0.58 kg)
<b>Environmental</b>	
Operating Temperature	-20 °C ~ 50 °C (-4 °F ~ 122°F)
Storage Temperature	-67°F ~ 158°F (-55 °C ~ 70 °C)
Humidity	50°C; 5% ~ 90%RH; 120 hours, non-condensing
Environmental Sealing	IP65
Vibration	MIL-STD-810G Method 514.6 Procedure I, Cat. 24, Fig. 514.6E-1 & E-2
Drop	MIL-STD-810G Method 516.6 Procedure IV
	- Height of Drop: 122cm (48 inch; 4ft), - Number of Drop: 26 times, - Floor: Twoinch plywood backed by concrete, - For all surfaces, edges and corners
ESD	Air charge: +/- 8KV, Contact charge: +/- 4KV
Certifications and Standards	UL: UL60950-1, CE/LVD: EN60950-1, FCC, CE
<b>Power Supply</b>	
AC / DC Adapter	AC 100~240V, 50~60Hz ; DC 12V/2A (24W)
Battery Life	Li-polymer High Capacity Battery, up to 8 Hours Battery Life
Master Battery	Internal Battery: 7.4V 3700mAH
Slave Battery	—
<b>Display</b>	
LCD	7" TFT-LCD / 16:10, with LED backlight
Resolution	1280 x 800 pixel
Maximum Color	16.7M
Dot Size	0.117 x 0.117(H)
Brightness	400 nits
Viewing Angle	Horizontal: 178° (Typ.), Vertical: 178° (Typ.)
<b>Touch Screen</b>	
Touch Type	Projected capacitive multi-touch screen (PCT)
Light Transmission	Min 87% (ASTM D1003; Wavelength = 550nm)

### Specifications

<b>System Architecture</b>	
Processor	Intel® Atom™ Z2760 Dual Core 1.8 GHz Processor
Operating System	Windows® IndustryPro 8.1
Memory	Onboard 2GB LPDDR2
Storage	Onboard 64GB eMMC
Display	7" TFT-LCD / 16:10, with Projected Capacitive Multi-Touch screen
I/O Ports	DC-in jack x 1, MicroSD Card x 1, SIM card slot x 1, miniUSB 2.0 x 1, mini HDMI x 1, Built-in Speaker & Microphone x 1, 3.5mm stereo headphone jack x 1, 1D/2D Barcode scanner x 1 (Optional)
Communication	Bluetooth v4.0, Wi-Fi (802.11 b/g/n), NFC / RFID (13.56MHz), 3G (Optional)
Navigation	GPS, Glonass
WWAN(optional)	3G: WCDMA
Camera	2 MP front camera, 8 MP auto-focus rear camera with flash

## Dimension

Unit: mm



## Packing List

- **1255300241**  
Power Adapter

- **Product CD**
- **RTC-700C**

## Optional Accessories

- **1700050156**  
USB OTG Cable
- **1700191501**  
HDMI Cable
- **AP-PS1757402101**  
Vehicle DC/DC Adaptor
- **AP-OT9789666663**  
Vehicle Dock Mount (non-Chargeable)
- **219700C001**  
Carry Bag w/ Shoulder Belt
- **9789700A01**  
Portable Stand
- **9789700A02**  
Desktop Stand
- **PER-A139**  
MSR Module
- **1702031830**  
Power Cord Cable for USA
- **1702031831**  
Power Cable for Europe
- **PER-A140**  
MSR + SCR Module
- **PER-A151**  
USB, COM and RJ45 Module
- **TF-RDS-0310-0000**  
Docking Station(with Stand)
- **TF-RDS-0310-0002**  
Docking Station(without Stand)
- **9789700A03**  
Portable Stand with Ring Hand Strap

\* Small quantity MOQ may apply for optional/customized services.

## Ordering Information

Part Number	CPU	System Memory	OS	Storage	Luminance	LCD Display	Touch Screen	WiFi/Bluetooth	3G Bands (MHz)	NFC (HF)	GPS	Sensor	Camera	Battery	Expansion I/O	Size	Weight	Operating Temp.	Enviroment	BCR	MSR/SCR	Docking
RTC-700C-TA-WBG-1201															miniHDMI x 1 microUSB x 1 microSD Card slot x 1 SIM Card slot x 1 mPCI-e x 1	136.6mm x 219mm x 21mm (W x L x H)	578g	-23 °C ~ 55 °C	MIL-STD-810G IP65	—	—	—
RTC-700C-TA-WBG-1202															miniHDMI x 1 microUSB x 1 microSD Card slot x 1 SIM Card slot x 1 mPCI-e x 1	136.6mm x 219mm x 21mm (W x L x H)	610g	-23 °C ~ 55 °C	MIL-STD-810G IP65	2D BCS	—	2D BCS
RTC-700C-TAD-WBG-1201															miniHDMI x 1 microUSB x 1 microSD Card slot x 1 SIM Card slot x 1 mPCI-e x 1	136.6mm x 219mm x 21mm (W x L x H)	583g	-23 °C ~ 55 °C	MIL-STD-810G IP65	—	—	Yes
RTC-700C-TAD-WBG-1202															miniHDMI x 1 microUSB x 1 microSD Card slot x 1 SIM Card slot x 1 mPCI-e x 1	136.6mm x 219mm x 21mm (W x L x H)	615g	-23 °C ~ 55 °C	MIL-STD-810G IP65	2D BCS	—	Yes
RTC-700C-TAD-WBG-1212															microSD Card slot x 1 SIM Card slot x 1 mPCI-e x 1	136.6mm x 243mm x 21mm (W x L x H)	685g	-23 °C ~ 55 °C	MIL-STD-810G IP65	—	Yes	Yes
RTC-700C-TA-WBGH-1201	Intel® Atom™ Processor Z2760 (1M Cache, 1.80 GHz)	2GB LDDRIII	WE8.1 Industry Pro	64GB eMMC	400 nits (116.75FL)	7" TFT LCD (1280 x 800)	PCT 5-point	WiFi (802.11 a/b/g/n) Bluetooth v4.0	850/1900/2100	13.56MHz (NFC-IP-1, ISO14443 TypeA/B, ISO15693, Felica, Mifare 1k,4k)	GPS, Glonass, AGPS* is enabled with 3G	1. G-sensor, 2. E-Compass, 3. Gyro-sensor, 4. Magnetometer, 5. Light sensor (ALS), 6. Vibration sensor 7. MEMS pressure sensor	1. Front: 2M, 720p 2. Rear: 8M, 1080p with auto-focus with flash	3700mAh 7.4V (27.38 Whr)	miniHDMI x 1 microUSB x 1 microSD Card slot x 1 SIM Card slot x 1 mPCI-e x 1	136.6mm x 219mm x 21mm (W x L x H)	608g	-23 °C ~ 55 °C	MIL-STD-810G IP65	—	—	—
RTC-700C-TA-WBGH-1202									850/1900/2100						miniHDMI x 1 microUSB x 1 microSD Card slot x 1 SIM Card slot x 1 mPCI-e x 1	136.6mm x 219mm x 21mm (W x L x H)	640g	-23 °C ~ 55 °C	MIL-STD-810G IP65	2D BCS	—	2D BCS
RTC-700C-TAD-WBGH-1201									850/1900/2100						miniHDMI x 1 microUSB x 1 microSD Card slot x 1 SIM Card slot x 1 mPCI-e x 1	136.6mm x 219mm x 21mm (W x L x H)	603g	-23 °C ~ 55 °C	MIL-STD-810G IP65	—	—	Yes
RTC-700C-TAD-WBGH-1202									850/1900/2100						miniHDMI x 1 microUSB x 1 microSD Card slot x 1 SIM Card slot x 1 mPCI-e x 1	136.6mm x 219mm x 21mm (W x L x H)	635g	-23 °C ~ 55 °C	MIL-STD-810G IP65	2D BCS	—	Yes
RTC-700C-TAD-WBGH-1212									850/1900/2100						microSD Card slot x 1 SIM Card slot x 1 mPCI-e x 1	136.6mm x 243mm x 21mm (W x L x H)	705g	-23 °C ~ 55 °C	MIL-STD-810G IP65	—	Yes	Yes